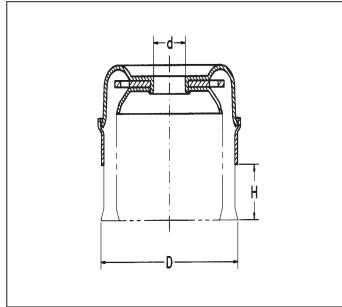


## BRUSHES FOR ANGLE GRINDERS

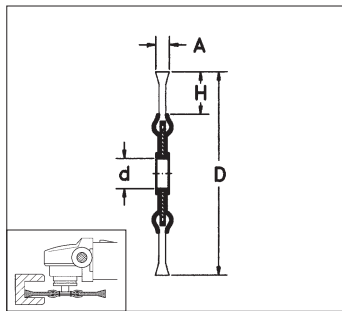
### CUP BRUSH OF CORRUGATED STEEL WIRE



- For cleaning surfaces.
- For removing rust, paint, lacquer and dirt.
- For light deburring work.

| D in mm | H in mm | d in mm   | Wire dia. in mm | Max. rpm | Art. No.            | P. Qty. |
|---------|---------|-----------|-----------------|----------|---------------------|---------|
| 60      | 20      | M14 x 2.0 | 0.35            | 12,000   | <b>0714 691 340</b> | 1       |

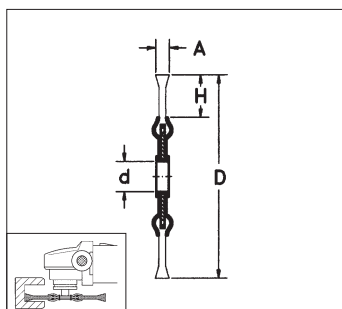
### ROUND BRUSHES (STEEL)



- For medium-heavy and heavy rust removal work.  
Due to the slim shape, especially well-suited for cleaning fillet welds and welding seams.
- For removing rust, scale and rubber residues.
- Hardened steel wire, braided counterclockwise.

| D in mm | H in mm | d in mm | A in mm | Wire dia. in mm | Max. rpm | Art. No.            | P. Qty. |
|---------|---------|---------|---------|-----------------|----------|---------------------|---------|
| 115     | 20      | 22.2    | 12      | 0.50            | 12,500   | <b>0714 69 02</b>   | 1       |
| 125     | 23      | 22.2    | 12      | 0.50            | 8,500    | <b>0714 691 512</b> | 1       |
| 150     | 32      | 22.2    | 12      | 0.50            | 9,000    | <b>0714 69 03</b>   | 1       |

### ROUND BRUSHES – STAINLESS-STEEL WIRE



- For machining stainless steel.
- Stainless-steel wire, braided counterclockwise.

| D in mm | H in mm | d in mm | A in mm | Wire dia. in mm | Max. rpm | Art. No.            | P. Qty. |
|---------|---------|---------|---------|-----------------|----------|---------------------|---------|
| 115     | 24      | 22.2    | 12      | 0.35            | 12,500   | <b>0714 692 02</b>  | 1       |
| 125     | 29      | 22.2    | 12      | 0.50            | 12,500   | <b>0714 692 512</b> | 1       |

**Note: Always wear safety goggles and safety gloves when working with machine brushes!**