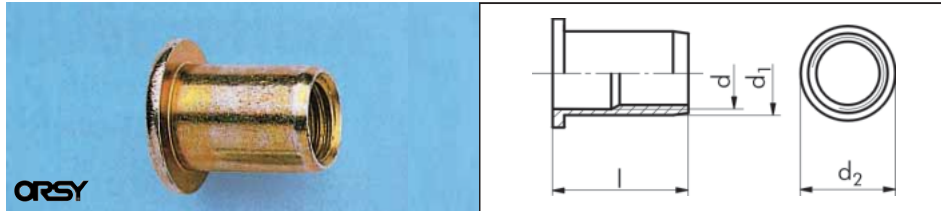


# Blind Rivet Nuts

## Flat round head

Aluminium alloy

Steel, galvanised, yellow passivated



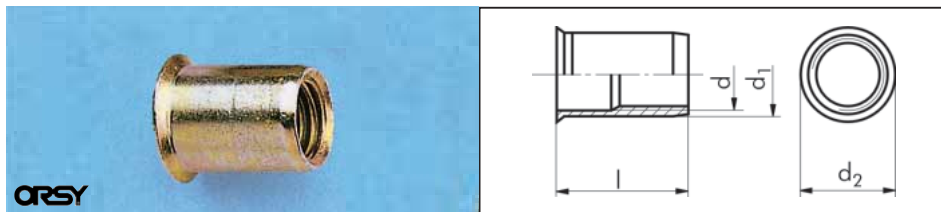
Thread d borehole Ø mm	Clamping range s mm	d <sub>2</sub> mm	Head height k mm	d <sub>1</sub> mm	l mm	Aluminium AlMg 2.5 Art. No.	Steel, galv., yellow pass. Art. No.	Pack Qty.
M 3 5.1	0.3 – 2.0	8.0	0.8	5.0	9.8	<b>0948 13 10</b>	<b>0948 33 10</b>	100/500
	2.0 – 3.0	8.0	0.8	5.0	10.8	<b>0948 13 20</b>	<b>0948 33 20</b>	100/500
M 4 6.1	0.3 – 3.0	10.0	0.8	6.0	10.8	<b>0948 14 10</b>	<b>0948 34 10</b>	100/500
	3.0 – 4.0	10.0	0.8	6.0	12.3	<b>0948 14 20</b>	<b>0948 34 20</b>	100/500
M 5 7.1	0.3 – 3.0	11.0	1.0	7.0	12.0	<b>0948 15 20</b>	<b>0948 35 20</b>	100/500
	3.0 – 5.5	11.0	1.0	7.0	15.0	<b>0948 15 30</b>	<b>0948 35 30</b>	100/500
M 6 9.1	0.5 – 3.0	13.0	1.5	9.0	14.5	<b>0948 16 15</b>	<b>0948 36 15</b>	100/250
	3.0 – 4.5	13.0	1.5	9.0	16.5	<b>0948 16 30</b>	<b>0948 36 30</b>	100/250
	4.5 – 6.0	13.0	1.5	9.0	19.5	–	<b>0948 36 45</b>	100/250
M 8 11.1	0.5 – 3.0	16.0	1.5	11.0	16.0	<b>0948 18 25</b>	<b>0948 38 25</b>	100/250
	3.0 – 5.5	16.0	1.5	11.0	18.5	<b>0948 18 40</b>	<b>0948 38 40</b>	100
	5.5 – 7.5	16.0	1.5	11.0	21.5	<b>0948 18 55</b>	<b>0948 38 45</b>	100
M 10 13.1	1.0 – 3.0	19.0	2.0	13.0	20.0	<b>0948 110 25</b>	<b>0948 310 25</b>	100
	3.0 – 4.5	19.0	2.0	13.0	22.0	<b>0948 110 40</b>	<b>0948 310 40</b>	100
M 12 / 15.1	1.0 – 3.5	18.0	2.0	14.9	22.0	–	<b>0948 312</b>	100

# Blind Rivet Nuts

## Countersunk head

Aluminium alloy

Steel, galvanised, yellow passivated



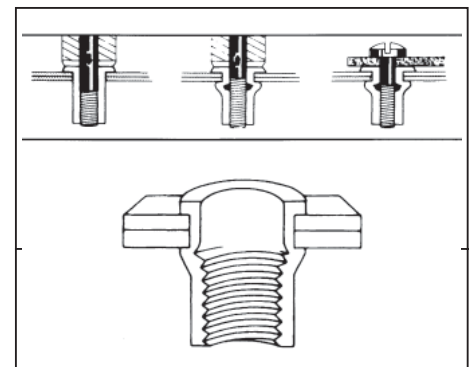
Thread d borehole Ø mm	Clamping range s mm	d <sub>2</sub> mm	Head height k mm	d <sub>1</sub> mm	l mm	Aluminium AlMg 2.5 Art. No.	Steel, galv., yellow pass. Art. No.	Pack Qty.
M 3 / 5.1	1.5 – 3.5	8.0	1.5	5.0	11.0	<b>0948 23 26</b>	<b>0948 43 26</b>	100/500
M 4 6.1	1.5 – 3.5	9.0	1.5	6.0	11.5	<b>0948 24 26</b>	<b>0948 44 26</b>	100/500
	3.5 – 5.0	9.0	1.5	6.0	13.0	<b>0948 24 36</b>	<b>0948 44 36</b>	100/500
M 5 7.1	1.5 – 4.0	10.0	1.5	7.0	13.0	<b>0948 25 36</b>	<b>0948 45 36</b>	100/500
	4.0 – 6.5	10.0	1.5	7.0	16.5	<b>0948 25 46</b>	<b>0948 45 46</b>	100/500
M 6 9.1	1.5 – 4.5	12.0	1.5	9.0	17.0	<b>0948 26 31</b>	<b>0948 46 31</b>	100/250
	4.5 – 6.5	12.0	1.5	9.0	19.0	<b>0948 26 41</b>	<b>0948 46 41</b>	100/250
M 8 11.1	1.5 – 4.5	14.0	1.5	11.0	19.0	<b>0948 28 41</b>	<b>0948 48 31</b>	100
	4.5 – 6.5	14.0	1.5	11.0	21.0	<b>0948 28 51</b>	<b>0948 48 41</b>	100
M 10 13.1	1.2 – 3.0	15.5	1.5	13.0	18.0	<b>0948 210 41</b>	<b>0948 410 31</b>	100
	3.1 – 4.5	15.5	1.5	13.0	20.0	<b>0948 210 51</b>	<b>0948 410 41</b>	100
M 12 / 15.1	1.0 – 3.5	18.0	1.5	15.0	23.0	–	<b>0948 412</b>	100

# Blind Rivet Nuts

- Blind Rivet Nuts combine 2 fastening modes: Blind rivet security with an additional screwed union.
- This makes it possible to use screwed unions for relatively thin-walled construction elements.

### Instructions:

1. Screw the Blind Rivet Nut on the threaded mandrel of the rivet tongs and place in the bore.
2. The rivet tongs retract the threaded mandrel and the rivet shaft is compressed in a ring shape. Screw the threaded mandrel out again.
3. Complete rivet union with additional screw fastening.



## Assortments



Cont.: 5 dim. of blind rivet nuts with flat round head, aluminium, from M3 to M6 = 375 pcs., 4 nose pieces with threaded mandrel M3 - M6, blind rivet tongs Art. No. 0917 1  
**Art. No. 0964 948 1**

Cont.: 5 dim. of blind rivet nuts with countersunk head, aluminium, from M3 to M6 = 375 pcs., 4 nose pieces with thread. mandrel M3 - M6, blind rivet tongs Art. No. 0917 1  
**Art. No. 0964 948 2**