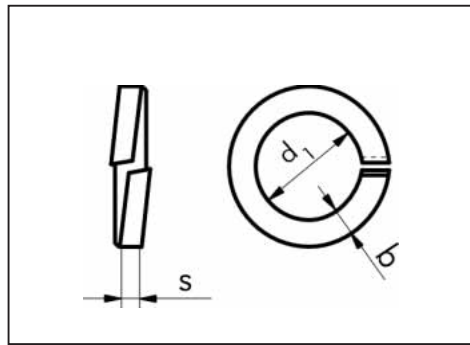




ORSY



Lock Washers DIN 127

Bare spring steel
Galvanized spring steel, blue passivated
Galvanized spring steel, yellow passivated
A2
A4

Suitable only for screws of strength class ≤ 5.8 . You should use detent-edged washers for higher strength classes!

Thread dia.	d ₁ mm	s mm	b mm	Steel Art. No.	P. Qty. Art. No.	galv. steel, blue pass. Art. No.	P. Qty. Art. No.	galv. steel, yellow pass. Art. No.	P. Qty.	A2 P. Qty.	A4 P. Qty.
M2	2.4	0.5	0.9							0447 2	
M3	3.4	0.8	1.3	0440 3	1,000	0441 3	1,000	0441 03	1,000	0447 3	0445 3 100
M3.5	3.9	0.8	1.3			0441 35	500	0441 035	500	0447 35	
M4	4.4	0.9	1.5	0440 4	1,000	0441 4	100/500/1,000	0441 04	100/500	0447 4	0445 4 100
M5	5.4	1.2	1.8	0440 5		0441 5	100/250/500/1,000	0441 05	100/250/500	0447 5	
M6	6.5	1.6	2.5	0440 6	500/1,000	0441 6			0441 06		0447 6
M7	7.5	1.6	2.5			0441 7	100	0441 07	100/500		
M8	8.5	2	3	0440 8		0441 8	100/250/1,000	0441 08	100/250/500	0447 8	300/1,000 0445 8 100/500
M10	10.7	2.2	3.5	0440 10	100/500/1,000	0441 10	100/250/500/1,000	0441 010	100/250/500/1,000	0447 10	100/500/1,000 0445 10 100
M12	12.7	2.5	4	0440 12		0441 12	100/500/1,000	0441 012	100/300/500	0447 12	100/500 0445 12
M14	14.7	3	4.5	0440 14	500	0441 14	100/300/500	0441 014		0447 14	100
M16	17	3.5	5	0440 16	100/500	0441 16			0441 016	100	0447 16
M18	19	3.5	5	0440 18	100	0441 18	100	0441 018		0447 18	200
M20	21.2	4	6	0440 20	50/100	0441 20	50/100/300	0441 020	50	0447 20	50/100 0445 20 100
M22	23.5	4	6	0440 22		0441 22	50/100				
M24	25.5	5	7	0440 24	50	0441 24	25/100			0447 24	50 0445 24 100
M27	28.5	5	7	0440 27							
M30	31.7	6	8	0440 30		0441 30					
M36	37.7	6	10	0440 36	25	0441 36	25				



Washer and Lock Washer Assortment DIN 125/DIN 127

● Galvanized, yellow passivated

Contents:

8 washer sizes from 4.3 to 15 mm = 700 pieces, 8 lock washer sizes from 4.1 to 14.4 mm = 700 pieces.

Art. No. 0964 407 441

Lock Washer and Serrated Lock Washer AZ Assortment DIN 127/DIN 6798

● Galvanized, blue passivated

Contents:

6 lock washer sizes from 4.1 to 12.2 mm = 600 pieces, 6 serrated lock washer sizes from 4.3 – 12.5 mm = 600 pieces.

Art. No. 0964 441