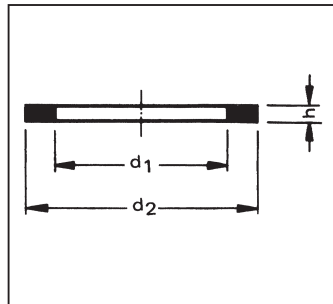
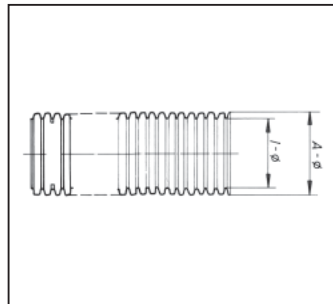


Installation accessories for central lubrication parts



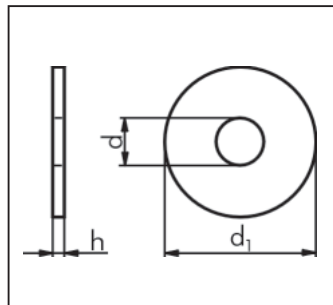
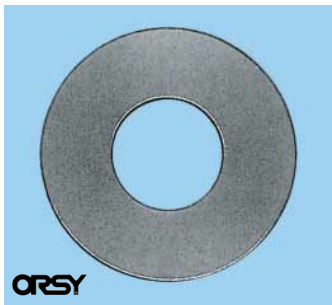
**Sealing ring
DIN 7603**

Nominal size mm	d1 Ø mm	d2 Ø mm	Height	Useable for thread		Outside Ø in inside thread mm	Art. No.	Pack Qty.
				mm	inch			
8 x 11.5	8.2	11.4	1	8 x 1	–	14 x 1.5	0460 8 115	100
14 x 18	14.2	17.9	1.5	14 x 1.5	R 1/4	–	0460 14 18	100/300



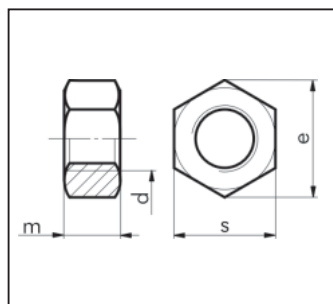
Corrugated insulation tubing

Nom. width mm	Outside Ø mm	Inside Ø mm	Art. No.	Qty./m
10	13.0	9.9	0771 990 10	10/50
13	15.8	12.7	0771 990 13	



**Fender washer
according to DIN 522, medium**

Ø for screw	d ₁ mm	d mm	h mm	galv. steel, blue pass. Art. No.	Pack Qty.
M 6	30	6.5	2.00	0411 6 302	100/300
M 8	30	8.5	1.50	0411 8 30	



**Hexagon nut
DIN 934 (ISO 4032)**

Coarse pitch thread d	s mm	e mm	m mm	galv., blue pass. Art. No.	Pack Qty.
M 6	10	11,5	5	0317 6	1000/500/ 250/100
M 8	13	14,38	6,5	0317 8	