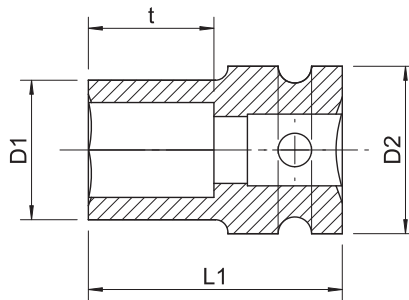


## 3/8 INCH IMPACT SOCKET WRENCH INSERT



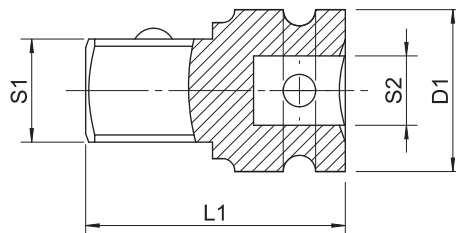
### Hexagon, metric, short

- Fits all conventional compressed air and electric drivers
- Standard: female square drive according to DIN 3121
- Design: forged, burnished

<b>Drive</b>	3/8 inch
<b>Socket wrench external diameter 2 (D2)</b>	19 mm
<b>Length (L1)</b>	30 mm

Width across flats	Socket wrench external diameter (D1)	Socket wrench depth (t)	Art. No.	P. Qty.
8 mm	14 mm	10 mm	<b>0714 12 03</b>	1
3/8 inch	16.5 mm	10 mm	<b>0714 12 031</b>	1
10 mm	16.5 mm	10 mm	<b>0714 12 04</b>	1
13 mm	20.2 mm	10 mm	<b>0714 12 06</b>	1
17 mm	25.2 mm	10 mm	<b>0714 12 08</b>	1
19 mm	27.7 mm	15 mm	<b>0714 12 082</b>	1

## 3/8 INCH POWER CONNECTOR



### 1/2-inch square drive and ball lock

- Suitable for all standard compressed air and electric screwdrivers
- Standard: DIN 3129, DIN 3121 - G10
- Design: forged, burnished

<b>Art. No.</b>	<b>0714 12 09</b>
<b>P. Qty.</b>	1
<b>Tip size (S1)</b>	1/2 inch
<b>Drive (S2)</b>	3/8 inch
<b>Length (L1)</b>	36 mm
<b>Socket wrench external diameter (D1)</b>	22 mm