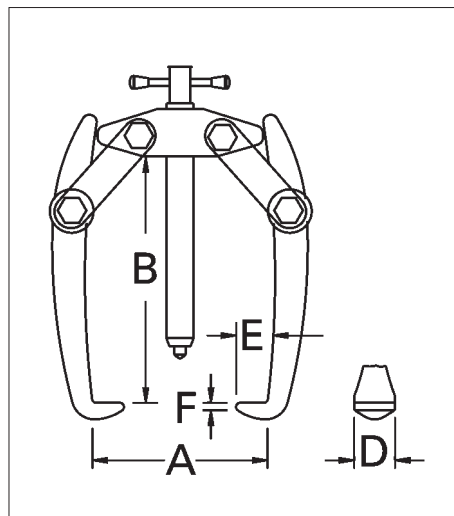



TWO-ARM POLE TERMINAL PULLER

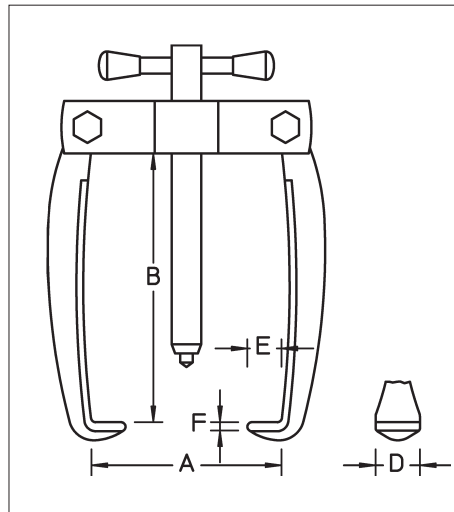


For pulling off battery terminals and other small parts.

- Very handy puller. The clamp handle enables extremely easy and safe work.
- The greater the pulling force, the the stronger the hooks grip around the part.
- Hook is drop-forged.
- Hook nubs are milled precisely.

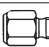
A in mm	B in mm	 in mm	L in mm	D in mm	E in mm	F in mm	Max. t	Art. No.	P. Qty.
60	40	M10 x 1.5	60	10	5	2	0.5	0714 522 060	1
60	60	M10 x 1.5	80	10	5	2	0.5	0714 522 061	1

TWO-ARM POLE TERMINAL PULLER



For pulling off battery terminals and other small parts.

- Very handy puller. The clamp handle enables extremely easy and safe work.
- Hook is drop-forged.
- Hook nubs are milled precisely.

A in mm	B in mm	 in mm	L in mm	E in mm	F in mm	Art. No.	P. Qty.
65	50	M10	115	10	3	0714 522 066	1