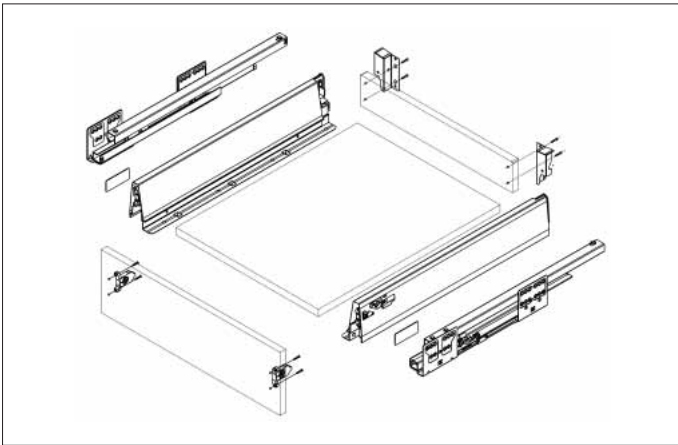


H84 DRAWER SLIDEBOX



- **H84 Drawer set package**
- Full runner, load-bearing capacity: 35 kg
- Tested to 60,000 cycles
- With integrated damping system
- Integrated vertical adjustment of ± 2 mm and side adjustment of 1 mm



Nominal length	Min. installation depth of drawer in mm	Art. No. Gray set package	P. set
270	280	0684 318 101	1
300	310	0684 318 102	
350	360	0684 318 103	
400	410	0684 318 104	
450	460	0684 318 105	
500	510	0684 318 106	
550	560	0684 318 107	

Set package comprised of:
 1 pair of H84 Frames, similar to RAL 7042
 1 pair of rear wall holders
 1 pair of full runners
 1 pair of cover caps
 1 pair of front attachments for screwing on