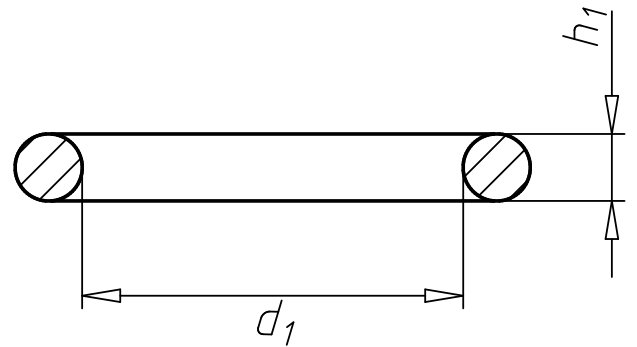


## O-ring, heavy-duty

- Standard: DIN 3771/ISO 1174
- Material: Perbunan N (nitrile rubber), hardness: 70 +/- 5 Shore
- Temperature resistance: -35°C to +120°C
- Resistant to all mineral oils, petrol, steam, lubricating grease, hot water and compressed air

Material	Perbunan
Surface	Plain
RoHS-compliant	Yes



Internal diameter ( $d_1$ )	Thickness ( $h_1$ )	Shore A hardness	Art. No.	P. Qty.
16 mm	3.5 mm		<b>0468 016 35</b>	25
19 mm	4 mm		<b>0468 019 40</b>	25
24 mm	4 mm	70 +/- 5	<b>0468 024 40</b>	25/200
36 mm	5 mm	70 +/- 5	<b>0468 036 50</b>	25

## Details/Application

For power socket wrench inserts