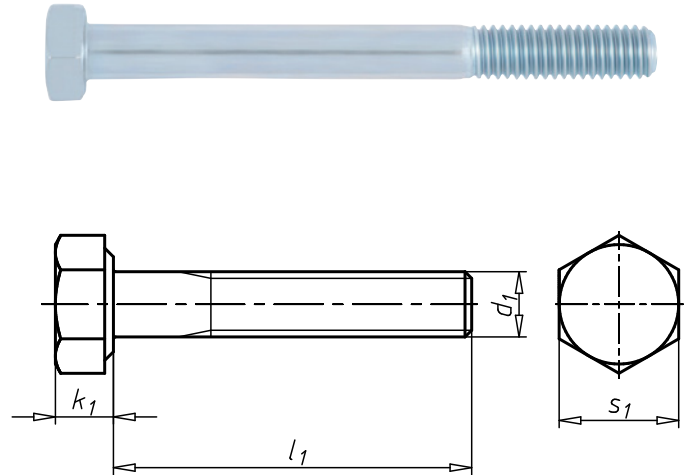


Hexagonal bolt with shank

DIN 931, steel 8.8, galvanised, blue passivated (A2K)

Standards	DIN 931
Material	Steel
Property class	8.8
Surface	Zinc plated
RoHS-compliant	Yes



Thread type x nominal diameter (d ₁)	Length (l ₁)	Head height (k ₁)	Thread length (metric thread) (b)	External drive (s ₁)	Art. no.	P. Qty.
M7	30 mm	5 mm	20 mm	WS11	0053 7 30	200
M7	40 mm	5 mm	20 mm	WS11	0053 7 40	200
M7	50 mm	5 mm	20 mm	WS11	0053 7 50	200
M7	60 mm	5 mm	20 mm	WS11	0053 7 60	200
M10	35 mm	7 mm	26 mm	WS17	0053 10 35	100
M10	40 mm	7 mm	30 mm	WS17	0053 10 40	100
M10	45 mm	7 mm	30 mm	WS17	0053 10 45	100
M10	50 mm	7 mm	26 mm	WS17	0053 10 50	100
M10	55 mm	7 mm	30 mm	WS17	0053 10 55	100
M10	60 mm	7 mm	26 mm	WS17	0053 10 60	100
M10	65 mm	7 mm	30 mm	WS17	0053 10 65	100
M10	70 mm	7 mm	26 mm	WS17	0053 10 70	100
M10	75 mm	7 mm	30 mm	WS17	0053 10 75	25/100
M10	80 mm	7 mm	26 mm	WS17	0053 10 80	100
M10	85 mm	7 mm	30 mm	WS17	0053 10 85	25/100
M10	90 mm	7 mm	30 mm	WS17	0053 10 90	100
M10	95 mm	7 mm	30 mm	WS17	0053 10 95	25/100
M10	100 mm	7 mm	30 mm	WS17	0053 10 100	50/100
M10	110 mm	7 mm	30 mm	WS17	0053 10 110	50/100
M10	120 mm	7 mm	30 mm	WS17	0053 10 120	50
M10	125 mm	7 mm	30 mm	WS17	0053 10 125	100
M10	130 mm	7 mm	32 mm	WS17	0053 10 130	50
M10	140 mm	7 mm	32 mm	WS17	0053 10 140	50
M10	145 mm	7 mm	32 mm	WS17	0053 10 145	50
M10	150 mm	7 mm	32 mm	WS17	0053 10 150	50
M10	160 mm	7 mm	32 mm	WS17	0053 10 160	50
M10	170 mm	7 mm	32 mm	WS17	0053 10 170	50
M10	180 mm	7 mm	32 mm	WS17	0053 10 180	50
M10	190 mm	7 mm	32 mm	WS17	0053 10 190	50
M10	200 mm	7 mm	32 mm	WS17	0053 10 200	25/50
M10	210 mm	7 mm	45 mm	WS17	0053 10 210	25
M10	220 mm	7 mm	45 mm	WS17	0053 10 220	50

Thread type x nominal diameter (d ₁)	Length (l ₁)	Head height (k ₁)	Thread length (metric thread) (b)	External drive (s ₁)	Art. no.	P. Qty.
M10	230 mm	7 mm	45 mm	WS17	0053 10 230	25
M10	240 mm	7 mm	45 mm	WS17	0053 10 240	25
M10	250 mm	7 mm	45 mm	WS17	0053 10 250	25
M10	260 mm	7 mm	45 mm	WS17	0053 10 260	25
M10	280 mm	7 mm	45 mm	WS17	0053 10 280	50
M10	290 mm	7 mm	45 mm	WS17	0053 10 290	25
M10	300 mm	7 mm	45 mm	WS17	0053 10 300	25
M10	330 mm	7 mm	45 mm	WS17	0053 10 330	50
M10	340 mm	7 mm	45 mm	WS17	0053 10 340	10
M12	40 mm	8 mm	22 mm	WS19	0053 12 40	100
M12	45 mm	8 mm	30 mm	WS19	0053 12 45	50/100
M12	50 mm	8 mm	30 mm	WS19	0053 12 50	50/100
M12	55 mm	8 mm	30 mm	WS19	0053 12 55	25/100
M12	60 mm	8 mm	30 mm	WS19	0053 12 60	50/100
M12	65 mm	8 mm	30 mm	WS19	0053 12 65	25/50
M12	70 mm	8 mm	30 mm	WS19	0053 12 70	50
M12	75 mm	8 mm	30 mm	WS19	0053 12 75	25/50
M12	80 mm	8 mm	30 mm	WS19	0053 12 80	25/50
M12	85 mm	8 mm	30 mm	WS19	0053 12 85	25/50
M12	90 mm	8 mm	30 mm	WS19	0053 12 90	25/50
M12	95 mm	8 mm	30 mm	WS19	0053 12 95	25/50
M12	100 mm	8 mm	30 mm	WS19	0053 12 100	25/50
M12	105 mm	8 mm	30 mm	WS19	0053 12 105	50
M12	110 mm	8 mm	30 mm	WS19	0053 12 110	25/50
M12	115 mm	8 mm	30 mm	WS19	0053 12 115	25
M12	120 mm	8 mm	30 mm	WS19	0053 12 120	25/50
M12	125 mm	8 mm	30 mm	WS19	0053 12 125	50
M12	130 mm	8 mm	36 mm	WS19	0053 12 130	25/50
M12	135 mm	8 mm	36 mm	WS19	0053 12 135	50
M12	140 mm	8 mm	36 mm	WS19	0053 12 140	25/50
M12	150 mm	8 mm	36 mm	WS19	0053 12 150	25/50
M12	155 mm	8 mm	36 mm	WS19	0053 12 155	50
M12	160 mm	8 mm	36 mm	WS19	0053 12 160	25
M12	170 mm	8 mm	36 mm	WS19	0053 12 170	25
M12	180 mm	8 mm	36 mm	WS19	0053 12 180	25
M12	190 mm	8 mm	36 mm	WS19	0053 12 190	25
M12	200 mm	8 mm	36 mm	WS19	0053 12 200	25
M12	210 mm	8 mm	49 mm	WS19	0053 12 210	25
M12	220 mm	8 mm	49 mm	WS19	0053 12 220	25
M12	230 mm	8 mm	49 mm	WS19	0053 12 230	25
M12	240 mm	8 mm	49 mm	WS19	0053 12 240	25
M12	250 mm	8 mm	49 mm	WS19	0053 12 250	50
M12	260 mm	8 mm	49 mm	WS19	0053 12 260	20/25
M12	270 mm	8 mm	49 mm	WS19	0053 12 270	25
M12	280 mm	8 mm	49 mm	WS19	0053 12 280	25
M12	290 mm	8 mm	49 mm	WS19	0053 12 290	25
M12	300 mm	8 mm	49 mm	WS19	0053 12 300	25
M12	320 mm	8 mm	49 mm	WS19	0053 12 320	25
M12	350 mm	8 mm	49 mm	WS19	0053 12 350	25
M12	360 mm	8 mm	49 mm	WS19	0053 12 360	25
M14	55 mm	9 mm	34 mm	WS22	0053 14 55	50
M14	60 mm	9 mm	34 mm	WS22	0053 14 60	50
M14	65 mm	9 mm	34 mm	WS22	0053 14 65	10/50

Thread type x nominal diameter (d ₁)	Length (l ₁)	Head height (k ₁)	Thread length (metric thread) (b)	External drive (s ₁)	Art. no.	P. Qty.
M14	70 mm	9 mm	34 mm	WS22	0053 14 70	50
M14	75 mm	9 mm	34 mm	WS22	0053 14 75	50
M14	80 mm	9 mm	34 mm	WS22	0053 14 80	50
M14	85 mm	9 mm	34 mm	WS22	0053 14 85	50
M14	90 mm	9 mm	34 mm	WS22	0053 14 90	50
M14	100 mm	9 mm	34 mm	WS22	0053 14 100	50
M14	105 mm	9 mm	34 mm	WS22	0053 14 105	10
M14	110 mm	9 mm	34 mm	WS22	0053 14 110	25
M14	120 mm	9 mm	34 mm	WS22	0053 14 120	25/50
M14	130 mm	9 mm	40 mm	WS22	0053 14 130	25/50
M14	140 mm	9 mm	40 mm	WS22	0053 14 140	25
M14	150 mm	9 mm	40 mm	WS22	0053 14 150	25
M14	160 mm	9 mm	40 mm	WS22	0053 14 160	25
M14	170 mm	9 mm	40 mm	WS22	0053 14 170	50
M14	180 mm	9 mm	40 mm	WS22	0053 14 180	25
M14	190 mm	9 mm	40 mm	WS22	0053 14 190	50
M14	200 mm	9 mm	40 mm	WS22	0053 14 200	25
M14	210 mm	9 mm	53 mm	WS22	0053 14 210	50
M14	220 mm	9 mm	53 mm	WS22	0053 14 220	25
M14	240 mm	9 mm	53 mm	WS22	0053 14 240	25
M14	250 mm	9 mm	53 mm	WS22	0053 14 250	25
M14	260 mm	9 mm	53 mm	WS22	0053 14 260	25
M14	280 mm	9 mm	53 mm	WS22	0053 14 280	25
M14	300 mm	9 mm	53 mm	WS22	0053 14 300	25
M22	70 mm	14 mm	50 mm	WS32	0053 22 70	25
M22	75 mm	14 mm	50 mm	WS32	0053 22 75	25
M22	80 mm	14 mm	50 mm	WS32	0053 22 80	25
M22	85 mm	14 mm	50 mm	WS32	0053 22 85	10
M22	90 mm	14 mm	50 mm	WS32	0053 22 90	25
M22	100 mm	14 mm	50 mm	WS32	0053 22 100	10
M22	110 mm	14 mm	50 mm	WS32	0053 22 110	10
M22	120 mm	14 mm	50 mm	WS32	0053 22 120	10
M22	130 mm	14 mm	56 mm	WS32	0053 22 130	10
M22	140 mm	14 mm	56 mm	WS32	0053 22 140	10
M22	150 mm	14 mm	56 mm	WS32	0053 22 150	10
M22	160 mm	14 mm	56 mm	WS32	0053 22 160	25
M22	170 mm	14 mm	56 mm	WS32	0053 22 170	25
M22	180 mm	14 mm	56 mm	WS32	0053 22 180	10
M22	190 mm	14 mm	56 mm	WS32	0053 22 190	10
M22	210 mm	14 mm	69 mm	WS32	0053 22 210	25
M22	235 mm	14 mm	69 mm	WS32	0053 22 235	10
M22	320 mm	14 mm	69 mm	WS32	0053 22 320	1

Notice

DIN 931 has been withdrawn and replaced by ISO 4014. There is some similarity (nominal dimensions extended | width across flats changed for M10, M12, M14 and M22).