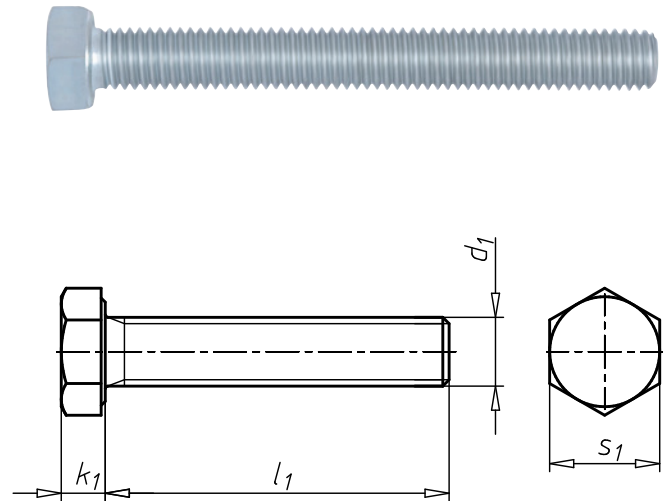


Hexagonal bolt with thread up to the head

DIN 933, 8.8 zinc-plated steel, blue passivated (A2K)

Standards	DIN 933
Material	Steel
Property class	8.8
Surface	Zinc plated
RoHS-compliant	Yes



Thread type x nominal diameter (d_1)	Length (l_1)	Head height (k_1)	External drive (s_1)	Art. no.	P. Qty.
M7	25 mm	4.8 mm	WS11	0057 7 25	200
M7	30 mm	4.8 mm	WS11	0057 7 30	200
M7	35 mm	4.8 mm	WS11	0057 7 35	200
M10	8 mm	6.4 mm	WS17	0057 10 8	100
M10	10 mm	6.4 mm	WS17	0057 10 10	200
M10	12 mm	6.4 mm	WS17	0057 10 12	200
M10	14 mm	6.4 mm	WS17	0057 10 14	100
M10	16 mm	6.4 mm	WS17	0057 10 16	200
M10	18 mm	6.4 mm	WS17	0057 10 18	200
M10	20 mm	6.4 mm	WS17	0057 10 20	200
M10	22 mm	6.4 mm	WS17	0057 10 22	200
M10	25 mm	6.4 mm	WS17	0057 10 25	100/200
M10	28 mm	6.4 mm	WS17	0057 10 28	200
M10	30 mm	6.4 mm	WS17	0057 10 30	100/200
M10	35 mm	6.4 mm	WS17	0057 10 35	100/200
M10	40 mm	6.4 mm	WS17	0057 10 40	100
M10	45 mm	6.4 mm	WS17	0057 10 45	100
M10	50 mm	6.4 mm	WS17	0057 10 50	100
M10	55 mm	6.4 mm	WS17	0057 10 55	50/100
M10	60 mm	6.4 mm	WS17	0057 10 60	50/100
M10	65 mm	6.4 mm	WS17	0057 10 65	50/100
M10	70 mm	6.4 mm	WS17	0057 10 70	25/100
M10	75 mm	6.4 mm	WS17	0057 10 75	25/50
M10	80 mm	6.4 mm	WS17	0057 10 80	25/100
M10	85 mm	6.4 mm	WS17	0057 10 85	100
M10	90 mm	6.4 mm	WS17	0057 10 90	25/100
M10	100 mm	6.4 mm	WS17	0057 10 100	25/100
M10	110 mm	6.4 mm	WS17	0057 10 110	25/50
M10	120 mm	6.4 mm	WS17	0057 10 120	25/50
M10	125 mm	6.4 mm	WS17	0057 10 125	50
M10	130 mm	6.4 mm	WS17	0057 10 130	50
M10	135 mm	6.4 mm	WS17	0057 10 135	50

Thread type x nominal diameter (d ₁)	Length (l ₁)	Head height (k ₁)	External drive (s ₁)	Art. no.	P. Qty.
M10	140 mm	6.4 mm	WS17	0057 10 140	50
M10	150 mm	6.4 mm	WS17	0057 10 150	50
M10	160 mm	6.4 mm	WS17	0057 10 160	50
M10	165 mm	6.4 mm	WS17	0057 10 165	25
M10	180 mm	6.4 mm	WS17	0057 10 180	50
M10	190 mm	6.4 mm	WS17	0057 10 190	50
M10	200 mm	6.4 mm	WS17	0057 10 200	50
M10	240 mm	6.4 mm	WS17	0057 10 240	25
M10	250 mm	6.4 mm	WS17	0057 10 250	25
M10	255 mm	6.4 mm	WS17	0057 10 255	25
M10	260 mm	6.4 mm	WS17	0057 10 260	25
M12	10 mm	7.5 mm	WS19	0057 12 10	100
M12	12 mm	7.5 mm	WS19	0057 12 12	100
M12	14 mm	7.5 mm	WS19	0057 12 14	100
M12	16 mm	7.5 mm	WS19	0057 12 16	100
M12	18 mm	7.5 mm	WS19	0057 12 18	100
M12	20 mm	7.5 mm	WS19	0057 12 20	100/200
M12	22 mm	7.5 mm	WS19	0057 12 22	100
M12	25 mm	7.5 mm	WS19	0057 12 25	100/200
M12	28 mm	7.5 mm	WS19	0057 12 28	100
M12	30 mm	7.5 mm	WS19	0057 12 30	100/200
M12	35 mm	7.5 mm	WS19	0057 12 35	100/200
M12	40 mm	7.5 mm	WS19	0057 12 40	100
M12	45 mm	7.5 mm	WS19	0057 12 45	100
M12	50 mm	7.5 mm	WS19	0057 12 50	50/100
M12	55 mm	7.5 mm	WS19	0057 12 55	50/100
M12	60 mm	7.5 mm	WS19	0057 12 60	50/100
M12	65 mm	7.5 mm	WS19	0057 12 65	50
M12	70 mm	7.5 mm	WS19	0057 12 70	50
M12	75 mm	7.5 mm	WS19	0057 12 75	50
M12	80 mm	7.5 mm	WS19	0057 12 80	50
M12	85 mm	7.5 mm	WS19	0057 12 85	50
M12	90 mm	7.5 mm	WS19	0057 12 90	50
M12	95 mm	7.5 mm	WS19	0057 12 95	50
M12	100 mm	7.5 mm	WS19	0057 12 100	25/50
M12	110 mm	7.5 mm	WS19	0057 12 110	25/50
M12	120 mm	7.5 mm	WS19	0057 12 120	25/50
M12	130 mm	7.5 mm	WS19	0057 12 130	25/50
M12	140 mm	7.5 mm	WS19	0057 12 140	25/50
M12	150 mm	7.5 mm	WS19	0057 12 150	25/50
M12	160 mm	7.5 mm	WS19	0057 12 160	25
M12	165 mm	7.5 mm	WS19	0057 12 165	25
M12	170 mm	7.5 mm	WS19	0057 12 170	25
M12	180 mm	7.5 mm	WS19	0057 12 180	25
M12	190 mm	7.5 mm	WS19	0057 12 190	25
M12	200 mm	7.5 mm	WS19	0057 12 200	25
M12	220 mm	7.5 mm	WS19	0057 12 220	25
M12	230 mm	7.5 mm	WS19	0057 12 230	10
M12	240 mm	7.5 mm	WS19	0057 12 240	25
M12	260 mm	7.5 mm	WS19	0057 12 260	10
M12	280 mm	7.5 mm	WS19	0057 12 280	25
M12	340 mm	7.5 mm	WS19	0057 12 340	25
M14	20 mm	8.8 mm	WS22	0057 14 20	100
M14	25 mm	8.8 mm	WS22	0057 14 25	100

Thread type x nominal diameter (d ₁)	Length (l ₁)	Head height (k ₁)	External drive (s ₁)	Art. no.	P. Qty.
M14	30 mm	8.8 mm	WS22	0057 14 30	100
M14	35 mm	8.8 mm	WS22	0057 14 35	100
M14	40 mm	8.8 mm	WS22	0057 14 40	50/100
M14	45 mm	8.8 mm	WS22	0057 14 45	50
M14	50 mm	8.8 mm	WS22	0057 14 50	50
M14	55 mm	8.8 mm	WS22	0057 14 55	50
M14	60 mm	8.8 mm	WS22	0057 14 60	50
M14	65 mm	8.8 mm	WS22	0057 14 65	50
M14	70 mm	8.8 mm	WS22	0057 14 70	50
M14	75 mm	8.8 mm	WS22	0057 14 75	50
M14	80 mm	8.8 mm	WS22	0057 14 80	50
M14	85 mm	8.8 mm	WS22	0057 14 85	50
M14	90 mm	8.8 mm	WS22	0057 14 90	50
M14	95 mm	8.8 mm	WS22	0057 14 95	25
M14	100 mm	8.8 mm	WS22	0057 14 100	50
M14	120 mm	8.8 mm	WS22	0057 14 120	50
M14	130 mm	8.8 mm	WS22	0057 14 130	50
M14	140 mm	8.8 mm	WS22	0057 14 140	25
M14	150 mm	8.8 mm	WS22	0057 14 150	50
M14	160 mm	8.8 mm	WS22	0057 14 160	25
M14	180 mm	8.8 mm	WS22	0057 14 180	25
M14	200 mm	8.8 mm	WS22	0057 14 200	25
M22	40 mm	14 mm	WS32	0057 22 40	25
M22	45 mm	14 mm	WS32	0057 22 45	25
M22	50 mm	14 mm	WS32	0057 22 50	25
M22	55 mm	14 mm	WS32	0057 22 55	25
M22	60 mm	14 mm	WS32	0057 22 60	25
M22	65 mm	14 mm	WS32	0057 22 65	25
M22	70 mm	14 mm	WS32	0057 22 70	25
M22	75 mm	14 mm	WS32	0057 22 75	25
M22	80 mm	14 mm	WS32	0057 22 80	25
M22	85 mm	14 mm	WS32	0057 22 85	25
M22	90 mm	14 mm	WS32	0057 22 90	25
M22	100 mm	14 mm	WS32	0057 22 100	25
M22	110 mm	14 mm	WS32	0057 22 110	10
M22	120 mm	14 mm	WS32	0057 22 120	10
M22	160 mm	14 mm	WS32	0057 22 160	10
M22	180 mm	14 mm	WS32	0057 22 180	10
M22	190 mm	14 mm	WS32	0057 22 190	10
M22	220 mm	14 mm	WS32	0057 22 220	10
M36	190 mm	22.5 mm	WS55	0057 36 190	1
M64	100 mm	40 mm	WS95	0057 64 100	1
M64	140 mm	40 mm	WS95	0057 64 140	1

Notice

DIN 933 has been withdrawn and replaced by ISO 4017. There is some similarity (nominal dimensions extended | Width across flats changed for M10, M12, M14 and M22).